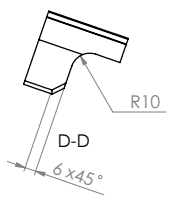


100_307_017_001_005
Z10014018
Zentrierstück (3x)

100_307_017_001_007
Z10014113
Zentrierstück geteilt (1x)



nitrided
Nht: 0,3+0,2/650+150HV1

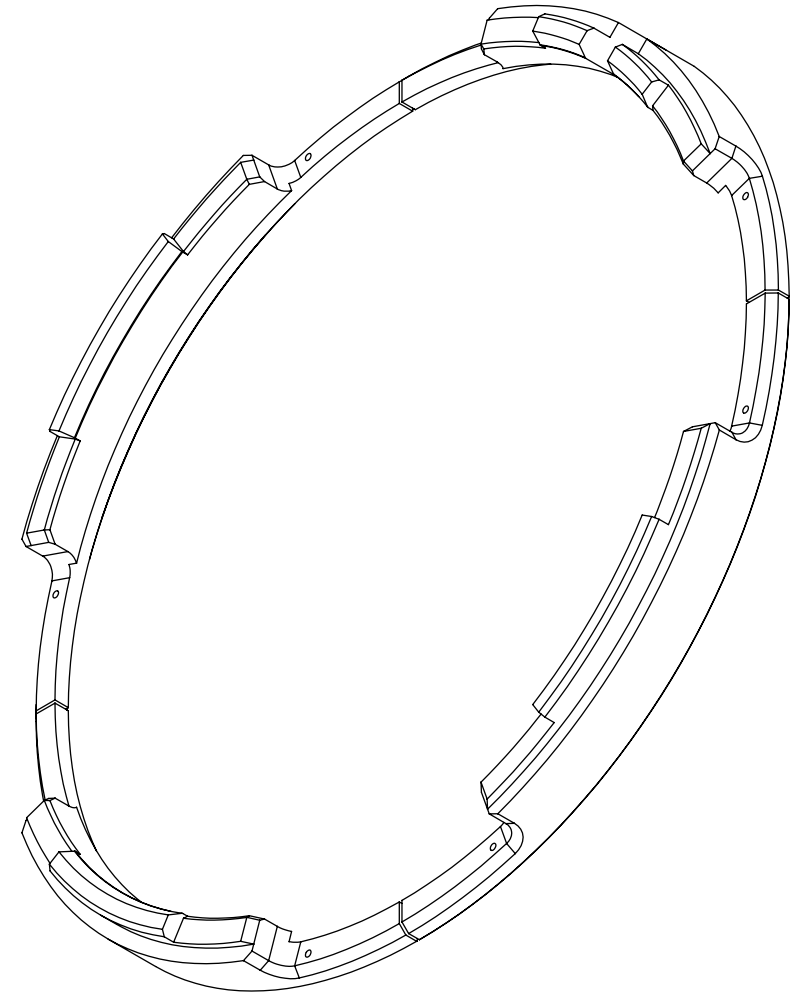
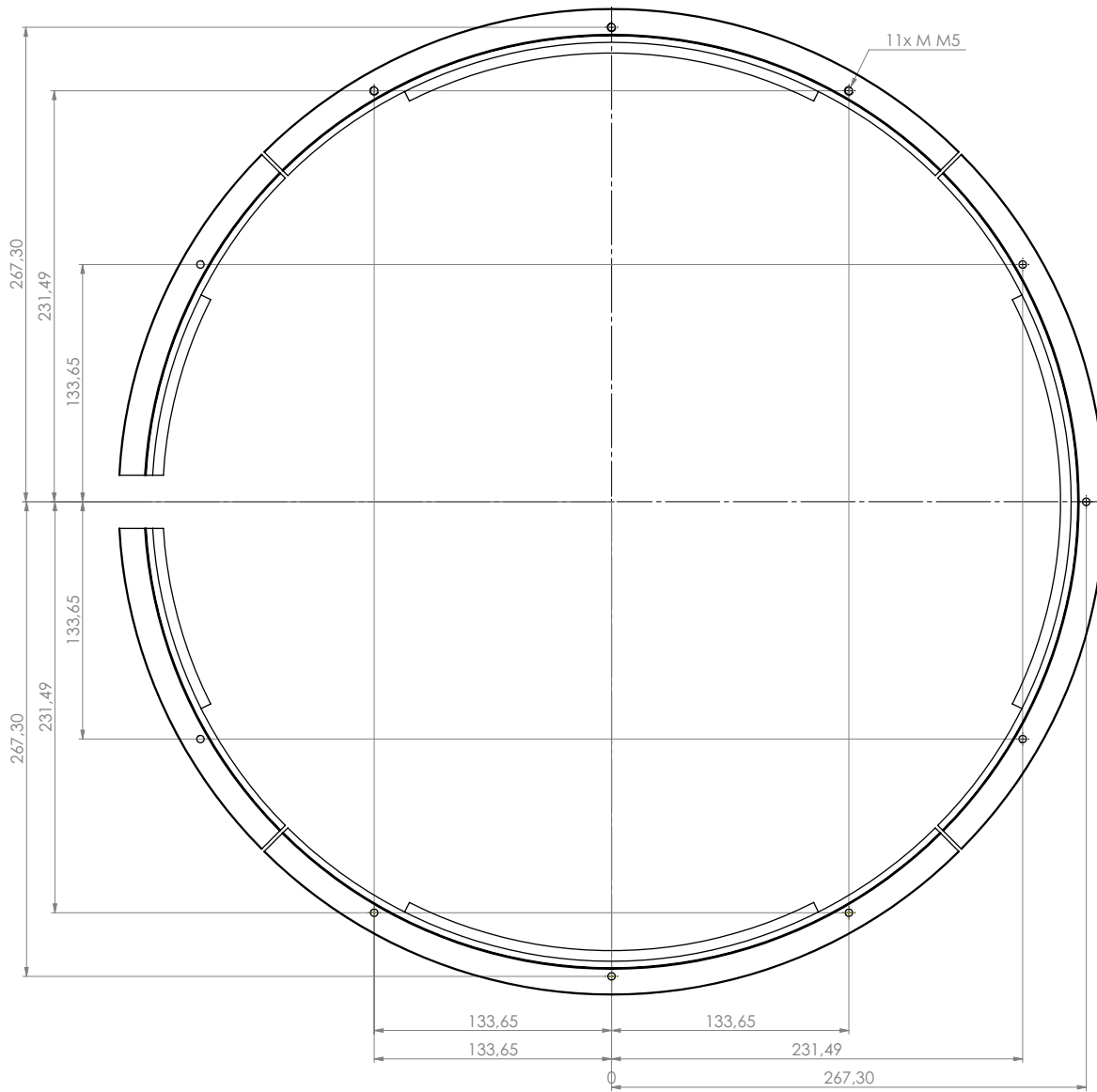
Nach dem Drehen gesägt

fit bore: $\pm 0,02$
fit feature: $\sqrt{Rz16}$

$\sqrt{Rz16}$

sharp edges removed

| | | | | | |
|--|----------|---|--------------------------------|-------------------------------------|--------|
| General Tolerance DIN ISO 2768-mK undimensioned radii/chamfer: 0,5x45° | | Scale X:X | | Material 16MnCr5 | |
| | | Surface - | | Designation Zentrierring 4-fach | |
| | | Date 03.08.11 | Name Niederhoffer Tobias | Document No. 100_307_017_001_015 | |
| | | APP: | | Sheet 1 of 2 | |
| | | contronic Haldenloh B4 86465 Weiden | | Art. No. Z10014119 | |
| No. | Revision | Date | Name | Src. | Source |

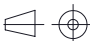


nitrided
Nht: 0,3+0,2/650+150HV1

fit bore: $\pm 0,02$
fit feature: $\sqrt{Rz16}$

sharp edges removed

$\sqrt{Rz16}$

| | | | | | |
|--|----------|---|---------------------|-------------------------------------|---------------------|
| General Tolerance DIN ISO 2768-mK undimensioned radii/chamfer: 0,5x45° | |  | | Scale 1:2 | Material 16MnCr5 |
| | | Date 03.08.11 | Name Niederhofer | Designation Zentriering 4-fach | |
| | | CK. 03.08.11 | Tobias | Document No. 100_307_017_001_015 | |
| | | APP. | | Sheet 2 of 2 | |
| | | contronic Haldenloh B4 86465 Weiden | | Art. No. Z10014019 | |
| No. | Revision | Date | Name | Str. | Constr. |